

AC904 Series

Intrinsically Safe Accelerometer, Side Exit Connector/Cable, 50 mV/g

SECTION 1 - VIBRATION SENSORS
Intrinsically Safe Accelerometers



Actual Product Size Shown



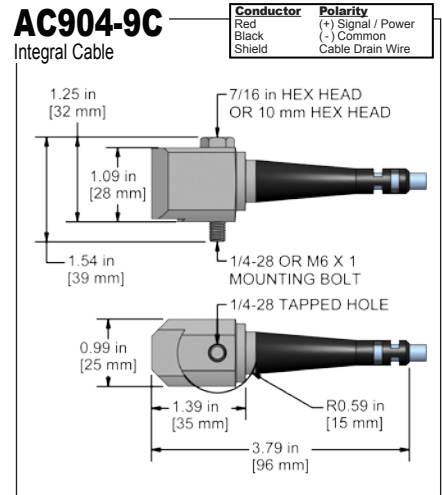
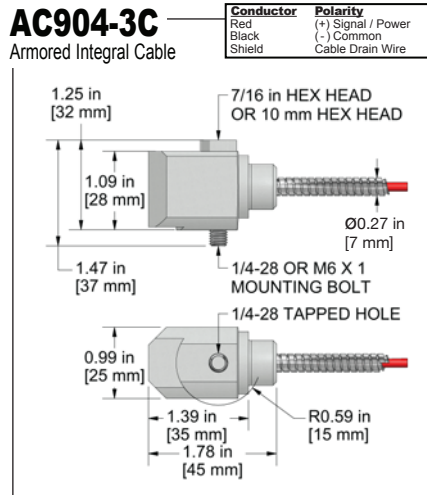
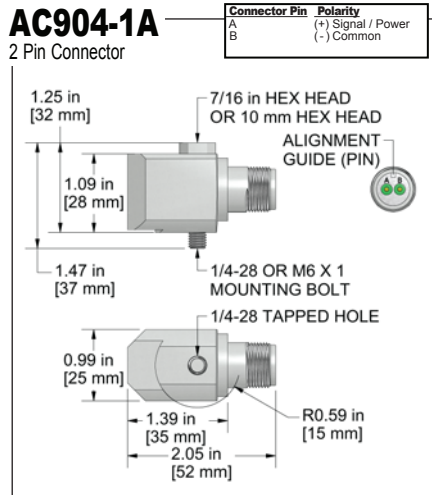
Requires Intrinsically Safe Barrier

Product Features

CSA/ATEX Approved

Excellent for Higher g Applications

- ± 100 g, Peak Dynamic Range
- 50 mV/g Sensitivity $\pm 10\%$
- Requires Intrinsic Safety Barrier (see page 348)



Specifications	Standard	Metric
Part Number	AC904	M/AC904
Sensitivity ($\pm 10\%$)	50 mV/g	
Frequency Response (± 3 dB)	60-480,000 CPM	1,0-8000 Hz
Frequency Response ($\pm 10\%$)	120-180,000 CPM	2,0-3000 Hz
Dynamic Range	± 100 g, peak	
Electrical		
Settling Time	<3 Seconds	
Voltage Source (IEPE)	18-28 VDC	
Constant Current Excitation	2-10 mA	
Spectral Noise @ 10 Hz	9 μ g./Hz	
Spectral Noise @ 100 Hz	2 μ g./Hz	
Spectral Noise @ 1000 Hz	1.6 μ g./Hz	
Output Impedance	<100 ohm	
Bias Output Voltage	10-14 VDC	
Case Isolation	>10 ⁹ ohm	

Specifications	Standard	Metric
Environmental		
Temperature Range	-58 to 250°F	-50 to 121°C
Maximum Shock Protection	5,000 g, peak	
Electromagnetic Sensitivity	CE	
Sealing	IP68	
Physical		
Sensing Element	PZT Ceramic	
Sensing Structure	Shear Mode	
Weight	5.3 oz	150 grams
Case Material	316L Stainless Steel	
Mounting	1/4-28	
Connector (AC904-1A)	2 Pin MIL-C-5015	
Armored Cable (AC904-3C)	Armor Jacketed Cable	
Integral Cable (AC904-9C)	RAL 5015 Blue Polyurethane Cable	
Resonant Frequency	1,260,000 CPM	21000 Hz
Mounting Torque	2 to 5 ft. lbs.	2.7 to 6.8 Nm
Mounting Hardware	1/4-28 Captive Bolt	M6x1 Captive Bolt
Calibration Certificate	CA10	

Ordering Information

Standard	AC904-1A (1/4-28 Captive Bolt)	AC904-3C - / (1/4-28 Captive Bolt)	AC904-9C - / (1/4-28 Captive Bolt)
Metric	M/AC904-1A (M6x1 Captive Bolt)	M/AC904-3C - / (M6x1 Captive Bolt)	M/AC904-9C - / (M6x1 Captive Bolt)

Read Before Purchasing
Important information on
Regulatory Approvals and Requirements
on Pages 70 & 71

Cable Termination Options: L Z

Backed by our Unconditional Lifetime Warranty

www.ctconline.com

