

## differential pressure gauges PN 200 with double diaphragm DS 4", 6" (100-150mm)



PED 2014/68/UE ATEX 2014/34/UE

These instruments are used to check differential pressures of gaseous liquids which do not have high viscosity and do not crystallize. In presence of high temperature, high viscosity and corrosive process fluid or which can crystallize these instruments can be fitted with remote mounting diaphragm seals.

### 2.15.1 - Standard Model

**Ranges:** from 0...40 IN H<sub>2</sub>O to 0...300 psi (from 0...0,1 bar to 0...25 bar, or other equivalent unit).

**Accuracy class:** 1,6 as per EN 837.

**Scale amplitude:** 180°...270°C depending on the scale range.

**Static pressure:** 300...3000 psi (25...200 bar), depending on the scale range.

**Ambient temperature:** -40...+149°F (-40...+65 °C).

**Process fluid temperature:** +302°F (+150 °C).

**Thermal drift:** ±0,8% every ±50°F (±10 °C) of ambient temperature

**Protection degree:** IP 55 as per EN 60529/IEC 529.

**Socket material:** AISI 316L st.st.

**Elastic element:** AISI 316L st.st. double diaphragm for pressure ranges < 250 mbar; AISI 316L st.st./Duratherm double diaphragm for pressure ranges ≥ 250 mbar

**Gasket:** VITON and PTFE.

**Case:** stainless steel.

**Ring:** stainless steel, polished, bayonet lock.

**Window:** tempered glass (with external zero adjustment on request).

**Movement:** stainless steel.

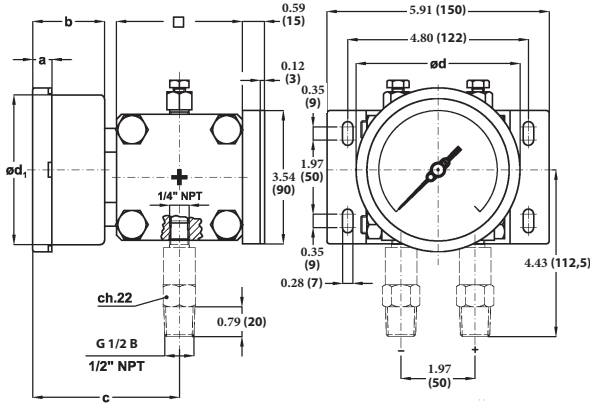
**Dial:** aluminium, white with black markings

**Pointer:** adjustable, aluminium, black

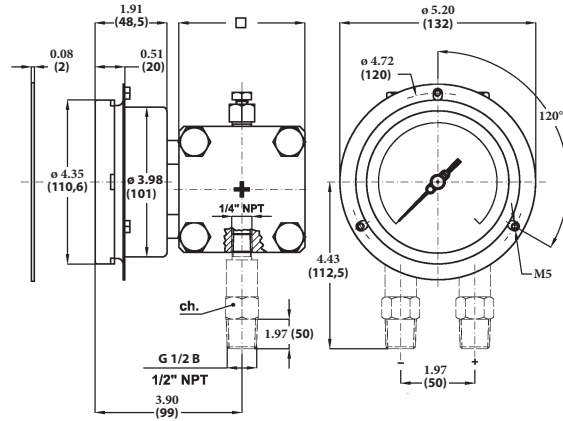
RANGE	Static pressure, one side : psi (bar)	Static pressure, both side : psi (bar)	Scale amplitude DS 4" (100mm)	Scale amplitude DS 6" (150mm)
(0...0,1 bar)	360 (25)	1500 (100)	180°	180°
(0...0,16 bar)	360 (25)	1500 (100)	180°	180°
0...4 psi (0...0,25 bar)	1500 (100)	3000 (200)	270°	180°
0...6 psi (0...0,4 bar)	1500 (100)	3000 (200)	270°	180°
0...10 psi (0...0,6 bar)	1500 (100)	3000 (200)	270°	270°
0...15 psi (0...1 bar)	1500 (100)	3000 (200)	270°	270°
(0...1,6 bar)	1500 (100)	3000 (200)	270°	270°
0...30 psi (0...2,5 bar)	1500 (100)	3000 (200)	270°	270°
0...60 psi (0...4 bar)	1500 (100)	3000 (200)	270°	270°
0...100 psi (0...6 bar)	1500 (100)	3000 (200)	270°	270°
0...160 psi (0...10 bar)	1500 (100)	3000 (200)	270°	270°
0...250 psi (0...16 bar)	1500 (100)	3000 (200)	270°	270°
0...300 psi (0...25 bar)	1500 (100)	3000 (200)	270°	270°

**differential pressure gauges PN 200**  
**with double diaphragm, DS 4", 6" (100-150mm)**

**MD15**



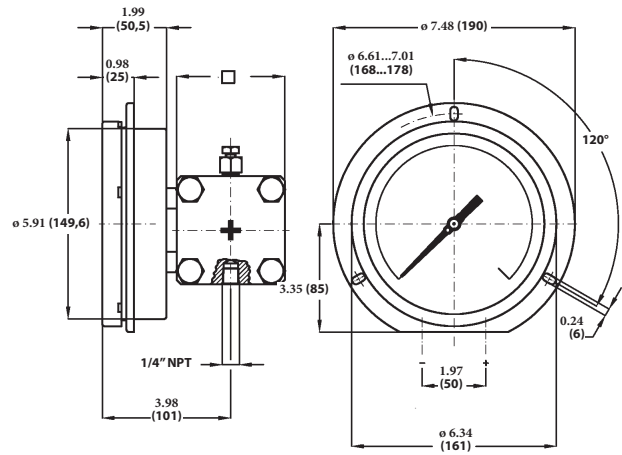
**Lower (Mounting code A) , with back flange**  
**(Option code C): DS 4", 6" (100-150mm)**



**Lower (Mounting code A) , with front flange (Option code F): DS 4" (100mm)**

DS	a	b	d	d <sub>1</sub>	□		Weight : lbs (kg)
					≤ 0,16 bar	> 0,16 bar	
<b>E</b> 4" (100)	0.51" (13)	1.90" (48,5)	4.35" (110,6)	3.97" (101)	3.93" (100)	3.34" (85)	10.36" (4,7)
<b>G</b> 6" (150)	0.59" (15)	1.96" (50,5)	6.33" (161)	5.88" (149,6)	3.93" (100)	3.34" (85)	11.24" (5,1)

dimensions : inches (mm)



**Lower (Mounting code A) , with front flange (Option code E): DS 6" (150mm)**

**OPTIONS**

<b>C</b> - Back flange for DN100-150 instruments	<b>D10</b> - Elastic element and connection MONEL 400 (2)
<b>F</b> - Front flange for DN100 instruments	<b>E65</b> - Protection degree IP65 (8)
<b>E</b> - Front flange for DN150 instruments	<b>M23</b> - Protection diaphragm Monel 400 (2)
Sliding contacts for DN 150 (amplitude 180°) (1)	<b>R11</b> - Case filling with silicon oil. Ambient temp. -40...+149°F (-40...+65 °C) - IP67 (5) (8)
<b>E30</b> - NACE version MR0103/MR0175 (ISO15156) (3)	<b>T01</b> - Tropicalization (8)
<b>L22</b> - Maximum pointer IP 65 on plexiglas window (8)	<b>T32</b> - Safety glass window (8)
<b>R10</b> - Case glycerine filling. Ambient temp. +32...+149°F (0...+65 °C) - IP67 (8)	<b>C40</b> - Case and ring AISI 316L st.st.
<b>S31</b> - 2" pipe mounting bracket	<b>2G9</b> - ATEX versions : II 2G c (7) (8)
NR. 2 diaphragm seals mounting (6)	<b>2D9</b> - ATEX versions : II 2GD c (7) (8)

- (1) Code and description see data sheet MN14
- (2) Accuracy 2,5 as per EN837, for ranges < 160 IN H<sub>2</sub>O (400 mbar)
- (3) To be ordered with Monel 400 or Hastelloy C diaphragms
- (5) Window gasket and blow out vent Viton

- (6) Contact technical department
- (7) For constructive details see ATEX execution data-sheet
- (8) Not available with electric contacts

**"HOW TO ORDER" SEQUENCE**

Section / Model / Case / Mounting / Diameter / Special version / Range / Process connection / Options  
**2 15 1 A E --- 41M - G 1/2 A M C...E**  
**G D10 43M - 1/2" NPT M E30...2D9**  
**43F - G 1/2 F**

